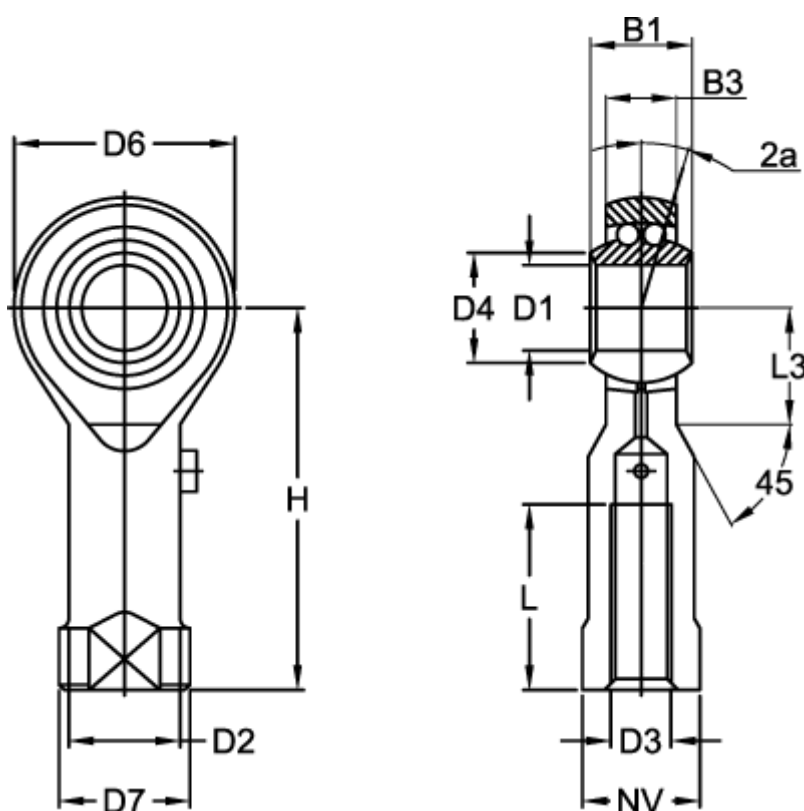


Article number: 03706008

Description: Fluro rod end BRF 8
with ball bearing

Measures



Angel 2a = 8.5

B1 = 12

B3 = 9.00

D1 = 8

D2 = 12.5

D3 = M8x1,25

D4 = 10.5

D6 = 24

D7 = 16

Dynamic load C (N) = 4000

H = 36

L = 16

L3 = 12

Max rpm = 1300

NV = 14

Static load (N) = 1000

Weight (kg) = 0.044